



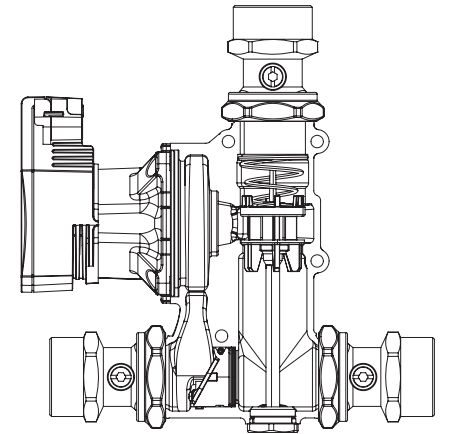
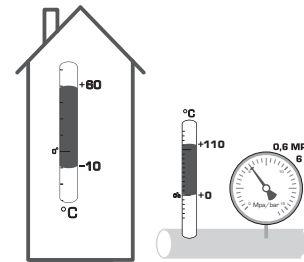
Solid fuel products
SERIES LTC300



Series LTC341
Series LTC361
Series LTC381

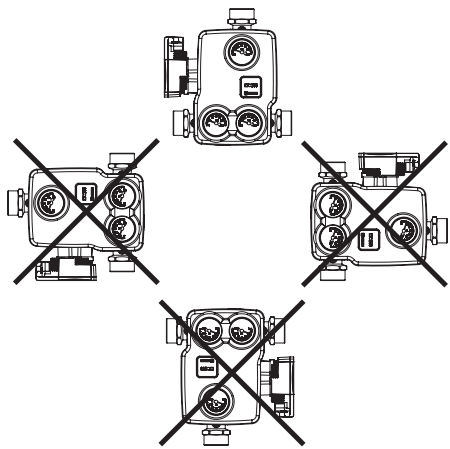
CE

LVD 2014/35/EU ErP 2009/125/EU
EMC 2014/30/EU ErP 2015
RoHS 2011/65/EC
PED 2014/68/EU, article 4.3

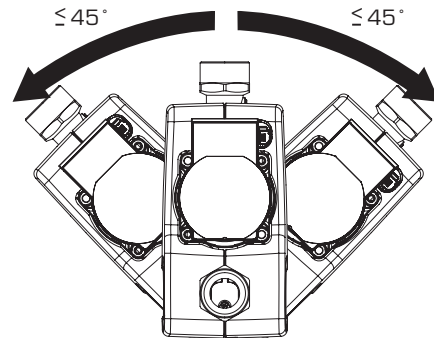


Mtrl.nr: 9814 1077 • Ritn.nr: 4843 vers. A • Rev. 2020-12-01

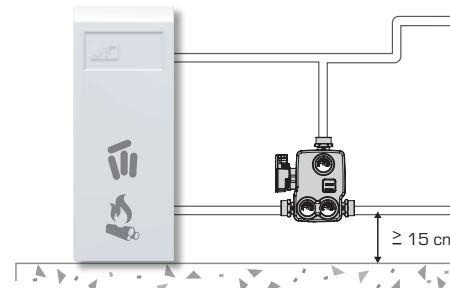
1



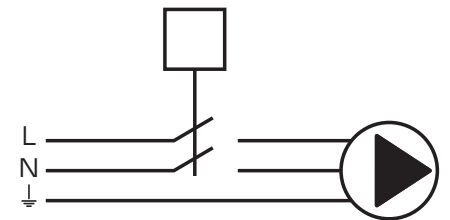
2



3

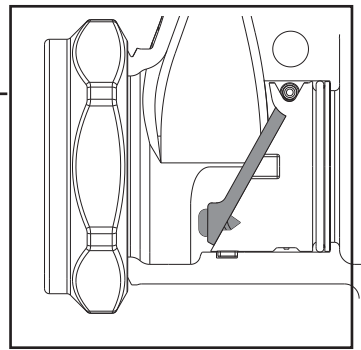
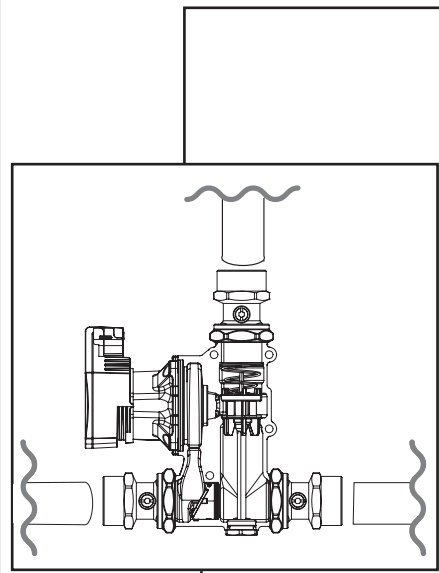
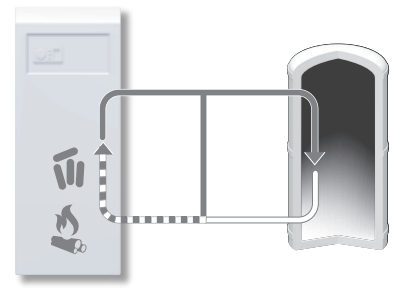


230 VAC, 50Hz



a 





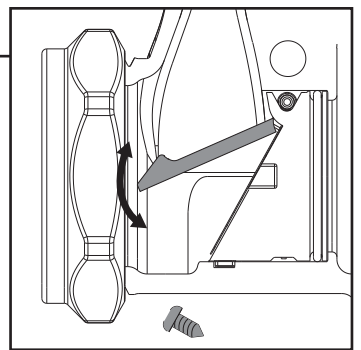
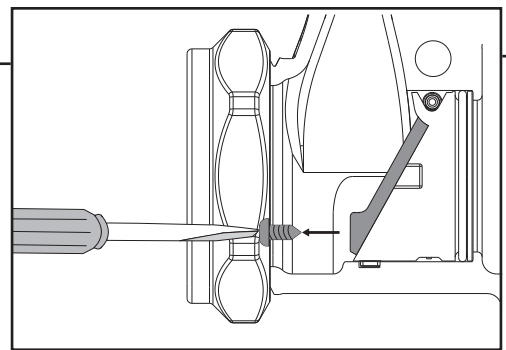




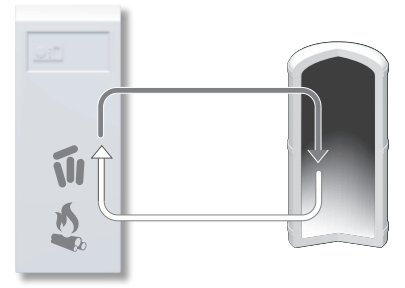
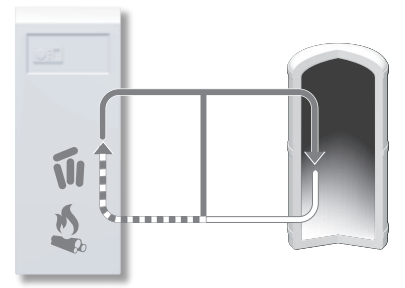
b 











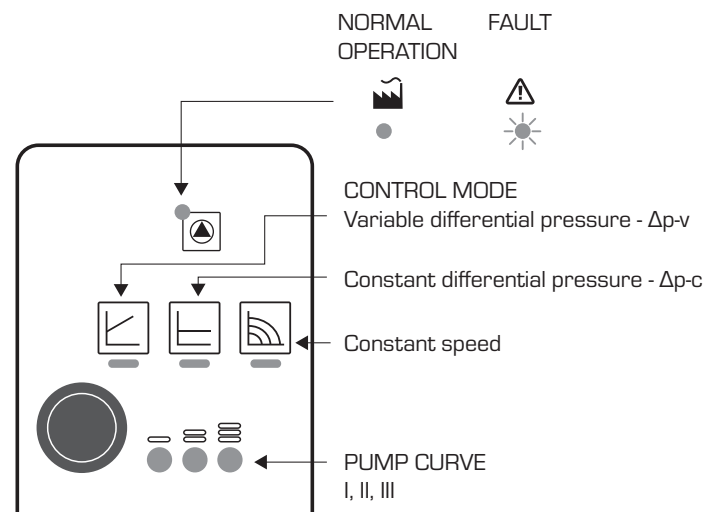
5

Pump Settings

Click	LED display	Control mode	Pump curve
			Recommended
1		Constant speed	
2		Constant speed	
3		Variable differential pressure $\Delta p-v$	
4		Variable differential pressure $\Delta p-v$	
5		Variable differential pressure $\Delta p-v$	
6		Constant differential pressure $\Delta p-v$	
7		Constant differential pressure $\Delta p-v$	
8		Constant differential pressure $\Delta p-v$	
9		Constant speed	

6

Display



i

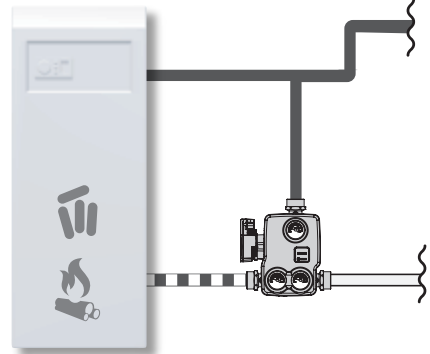
Pump features

1	2	3	4
Hold	LED display	Last settings	Status
↓ 8 sec			Locked
↓ 8 sec			Unlocked
↓ 4 sec			Factory setting
↓ 3 sec			Venting

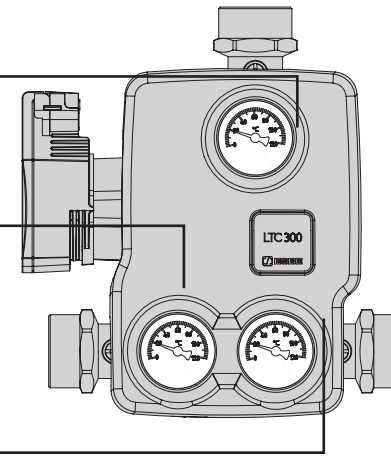
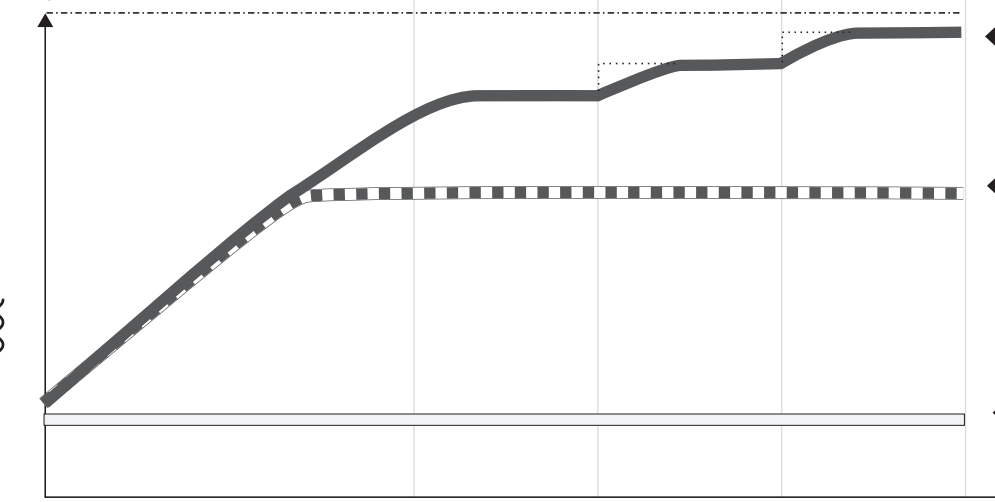
7



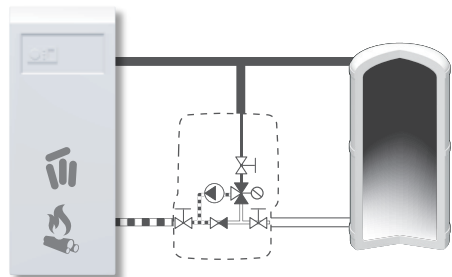
Optimising load temperature



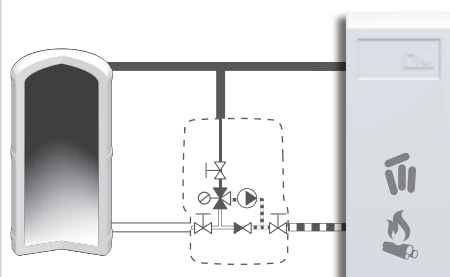
Temp °C



i



i



i



<https://www.esbe.eu/global/en/products/solid-fuel-products>

i



www.esbe.eu

Piping Schematics are General Representations