



SERIES 3F, 4F



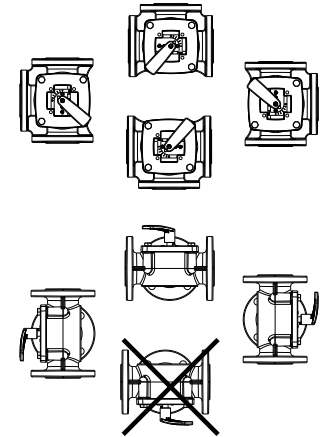
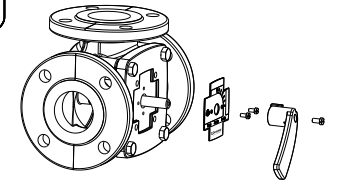
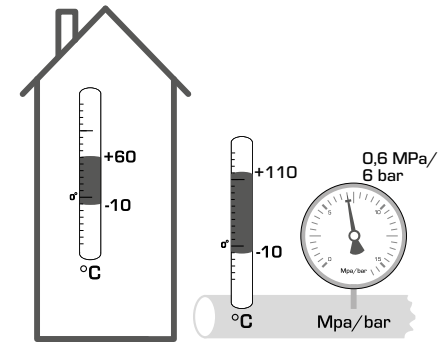
Mtrl.nr: 9814 10 22 • Ritn.nr: 9288 utg. A • Rev. 1611



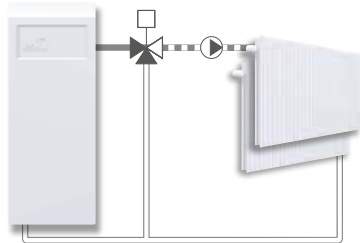
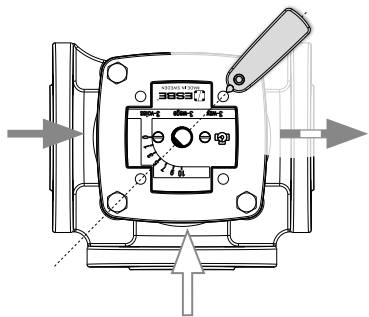
Series 3F, 4F

CE

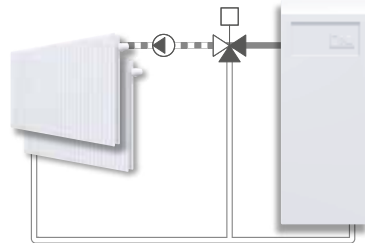
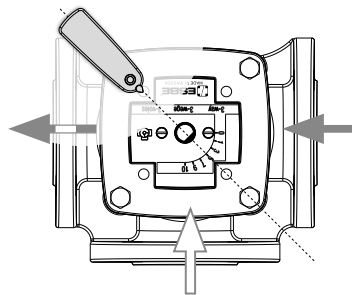
PED 2014/68/EU, article 4.3



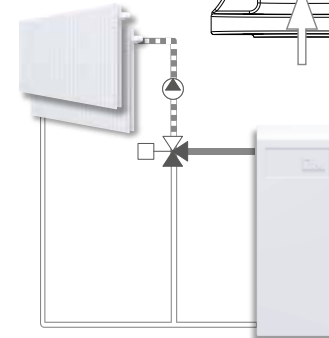
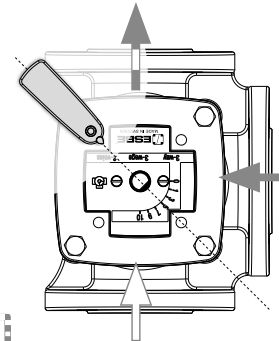
1a



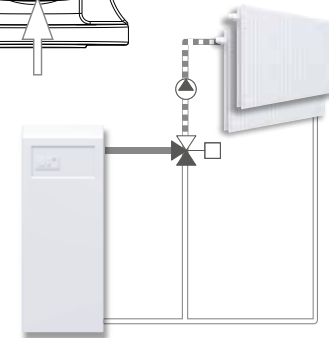
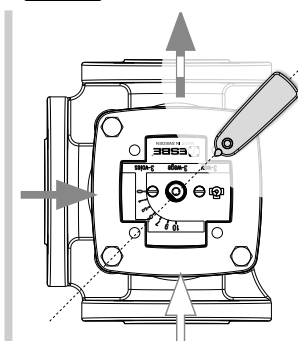
1b



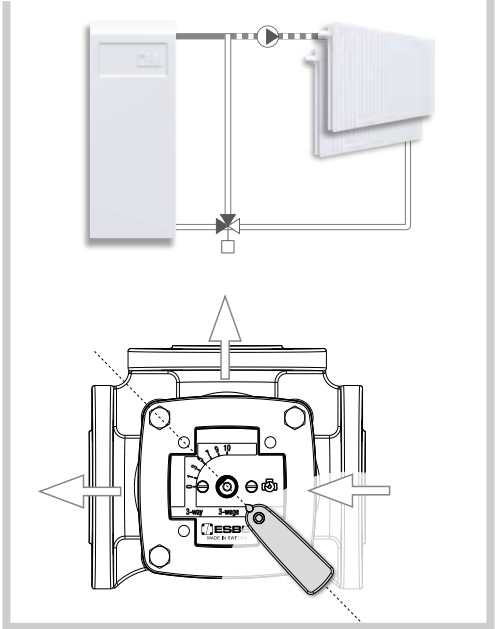
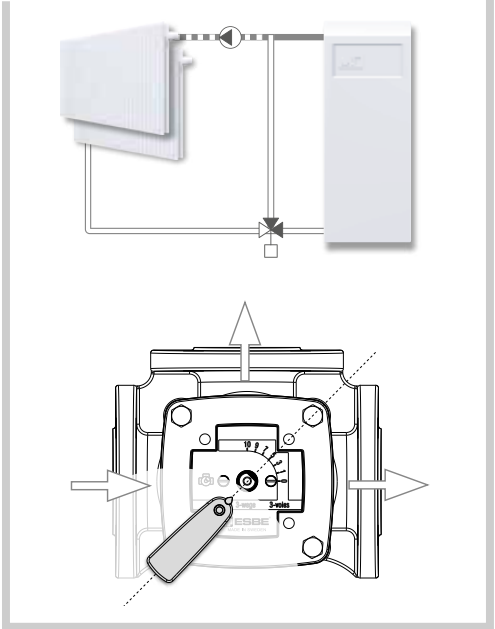
2a



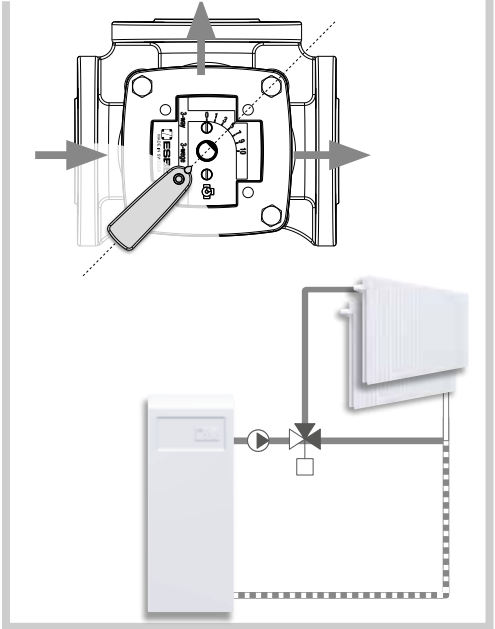
2b



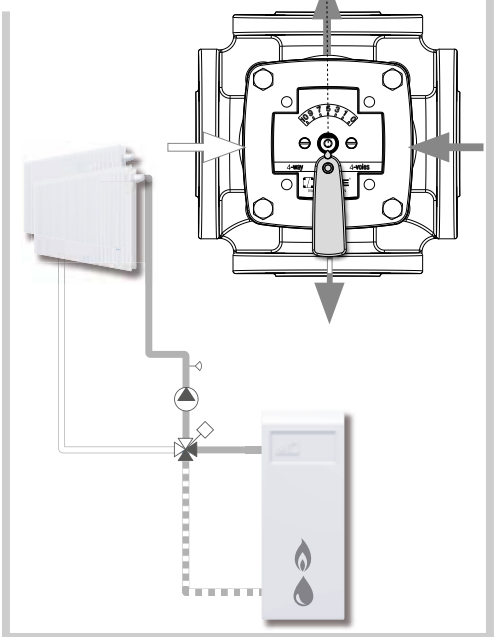
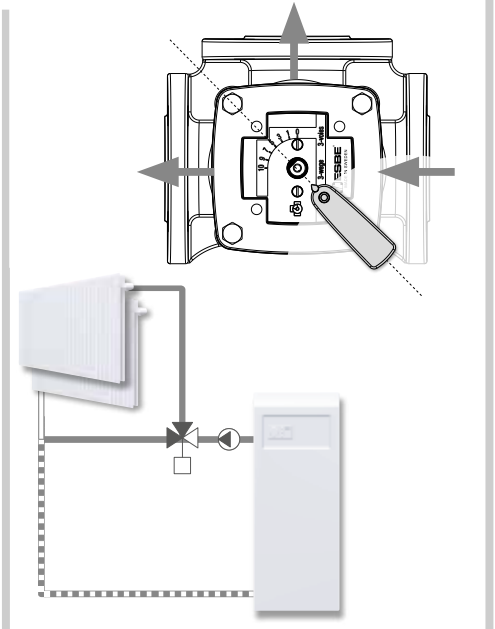
3a



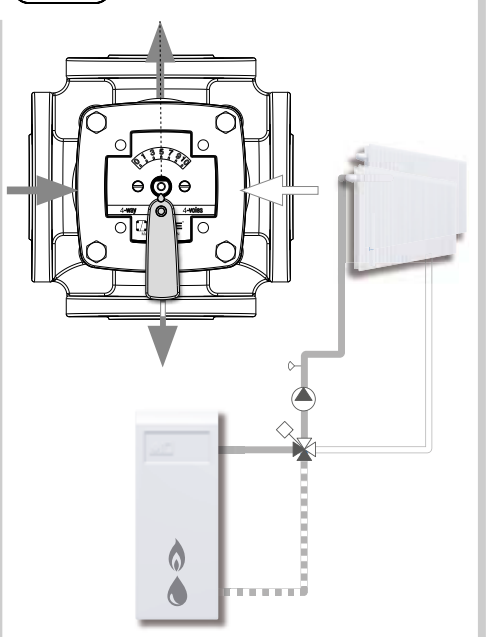
4a



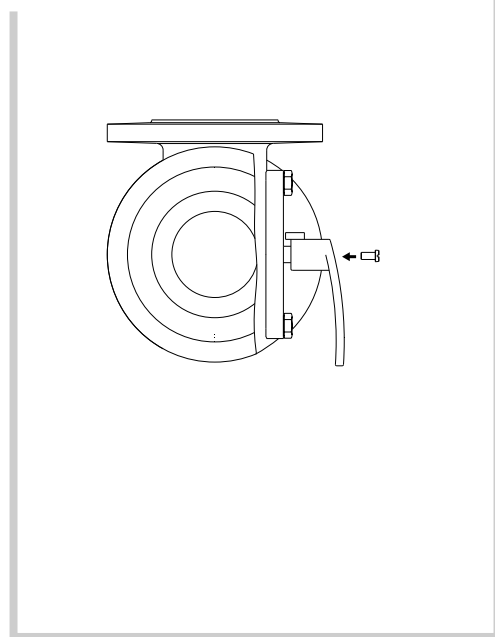
4b



5b



6



i

