

PANEL
RADIATORS.



heatingthrough**innovation.**





CONTENTS.



Cloakroom



Living room



Kitchen



Bathroom



Bedroom



Nursery



Office



Leisure time

Introduction	03
T6-centrally connected radiator	08
Compact radiator	10
T6-Plan centrally connected radiator	12
Hygiene radiator	14
Vertical radiator – centrally connected	16
Plan vertical radiator – centrally connected	18
Replacement radiators	20
Colours	22
Product description & shipping	23

Our collection of panel radiators offers a suitable radiator for every room. The icons above will guide you through the booklet.





OUR CLAIM.

Groundbreaking in Europe

VOGEL&NOOT is Europe's leading technology partner, which boasts a variety of technical standards and has a wide range of different products such as radiators, floor heating and chimney systems.

Planners, designers and actual users of the heated areas are extremely satisfied with **VOGEL&NOOT**'s products, since they are marked by constant innovations in efficiency and design.

VOGEL&NOOT stands for:

Utmost efficiency

Since **VOGEL&NOOT** is the leader in innovations, it provides the latest heat emission technology, creating thermal comfort whilst maintaining climate protection.

Stylish design

Since **VOGEL&NOOT** produces a wide range of different radiator designs with unique surfaces, it is easy to place strong emphasis in modern living rooms

Product line & Services

VOGEL&NOOT not only offers a wide range of high quality products for perfect heat emission solutions, it also offers a perfect service.

heatingthroughinnovation.



The mark of utmost efficiency.

The ECO-seal of quality for **VOGEL&NOOT**'s panel radiators is a sign of compatibility with all renewable energy sources, and therefore a sign for an economically and ecologically efficient heat emission.

Compatibility & Efficiency

Prof. DI DR. Michael Graf, FHS Pinkafeld: "It is proven that **VOGEL&NOOT**'s panel radiators are able to achieve different heat levels from 35°C to 90°C without any problems. Even at a low supply temperature they fulfil the heating load and the criteria concerning comfort."

Reduction in price

Testing results from the accepted FHS Pinkafeld show that the exchange of an old tube radiator to a new panel radiator saves you 15%* of your average energy potential.

CO₂-Reduction

Due to a wide range of compatible energy sources and the reduction in the use of energy, a positive contribution to climate protection is ensured.



* On average, in comparison with old sectional radiators, test results from Pinkafeld University of Applied Sciences.

RESPONSIBILITY
FOR THE FUTURE.



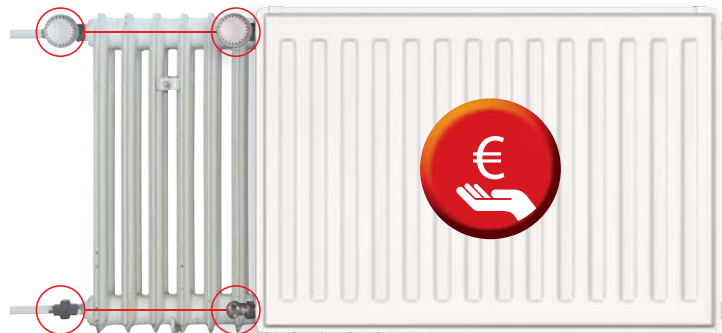
Perfect partner for replacement

Obvious trend: The way from a new building to the replacement

Many millions of old tube radiators cause high heating prices and significant CO₂ emissions. The replacement radiator from **VOGEL&NOOT** comes up with the perfect solution: a faster, cleaner exchange in order to save energy.

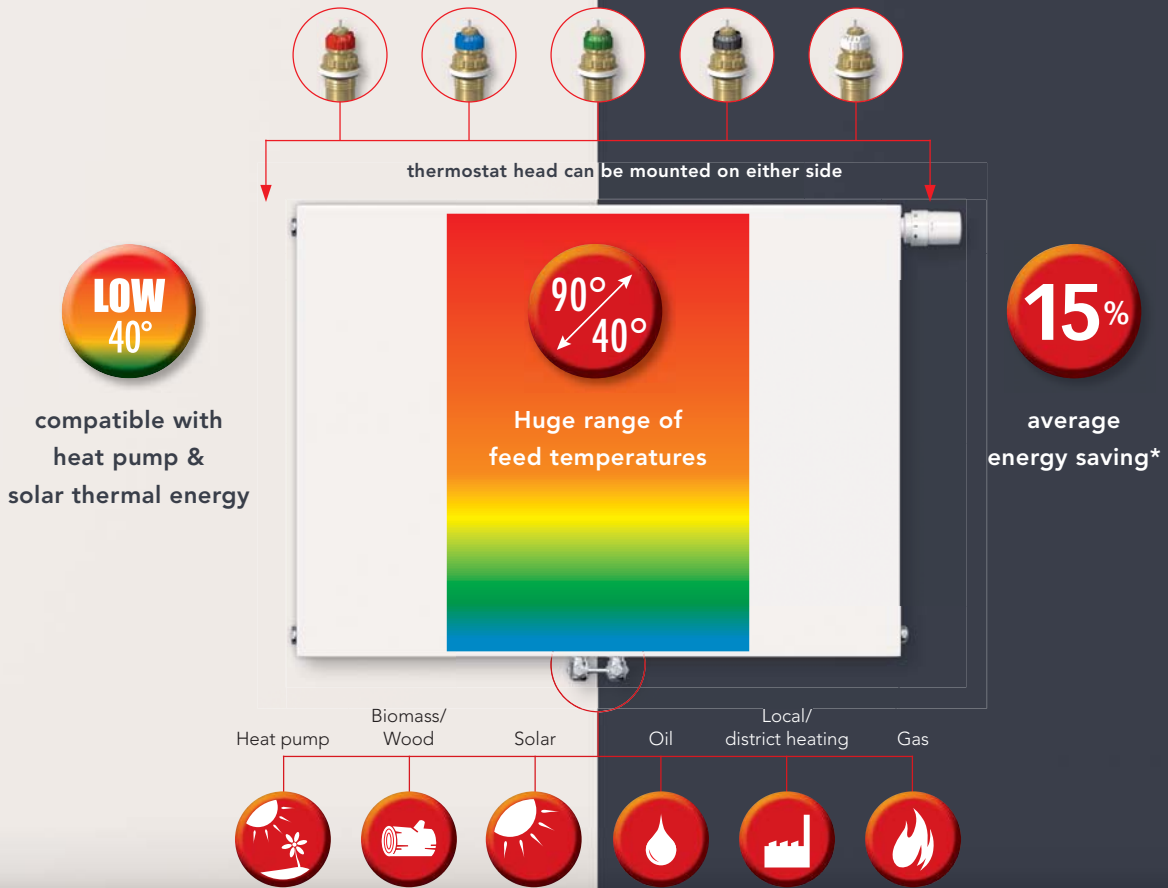
Global-climate responsibility

The features of **VOGEL&NOOT**'s efficient panel and replacement radiators combine the thermal needs of human beings with environmental and climate protection – in that you are able to reduce the CO₂ footprint.





- Short heating up period of the room
- High energy efficiency
- Highest comfort
- Flexible location
- Valve inserts with factory-adjusted k_v -setting



*compared to old sectional radiators

EUROPE'S NO. 1 FOR CENTRALLY CONNECTED RADIATORS

High efficiency

Prof. DI. Dr. Michael Graf: "We have calculated many different replacement scenarios, with which a radiator exchange had been performed. When using **VOGEL&NOOT's** panel radiators you are able to save 15%."

Short heating up period

Due to the innovative technology, the T6 is able to achieve a high heating performance and is therefore one of the leading panel radiators. The T6's special convector-sheet geometry provides every room with equally distributed heat reliably and quickly, therefore guaranteeing maximum comfort.

Maximum comfort

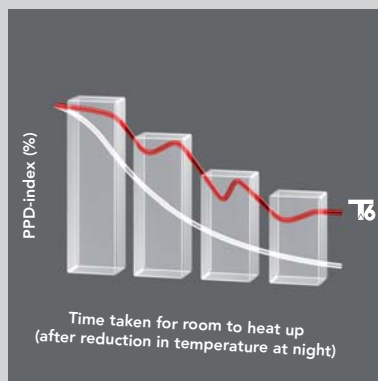
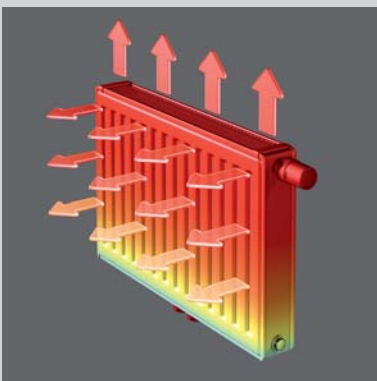
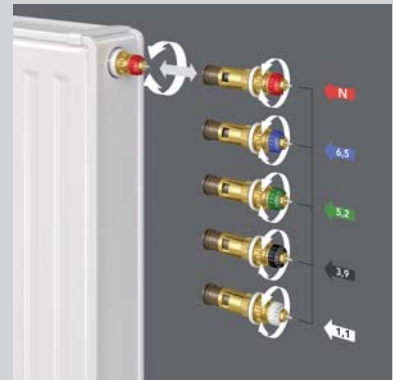
In an independent series of tests of the FHS Pinkafeld, the comparative tests showed that, compared to different European radiator-models, the T6 provides comfort, even at a low temperature of operation. The low PPD-Index** shows this!

Integrated valve-technique with k_v -setting

VOGEL&NOOT's valve radiators are equipped with valve inserts with factory-adjusted k_v -settings. These are coordinated with the heat performance of the radiator, which enables an increase in controlling quality and the efficient operation of the heating system. In that way, a perfect hydraulic alignment is possible, which saves additional costs.

Flexible location

The T6 centrally connected radiator offers maximum flexibility – not only due to easy installation. A patent pipe routing offers a free choice of the location of the thermostat head.



Equal heat distribution

Perfect performance with high efficiency and fast heat emission.

Utmost comfort

Warm accommodation with comfort and a high quality of life. (According to test results for the FHS Pinkafeld, 2007).

Flexible location

Due to patent pipe routing, it is possible to choose the location of the thermostat head.

* On average, in comparison with old sectional radiators, test results from Pinkafeld University of Applied Sciences

** Percentage of those unsatisfied



T6 - CENTRALLY
CONNECTED
RADIATOR.



- Unique T6 centrally connected technology
- Highest flexibility in planning and installation
- Energy efficient heat emission with low heating prices
- Integrated valve technique with pre-adjustments



The benefits for you:

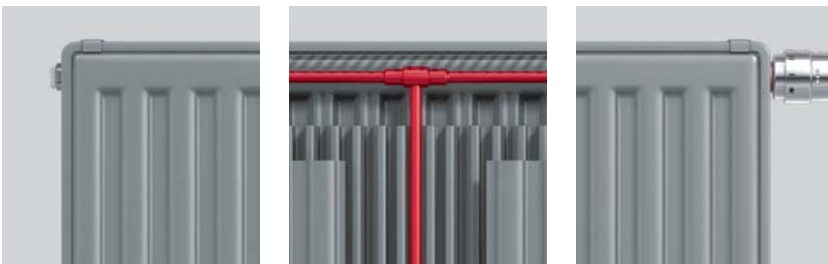
The revolutionary T6-centrally connected technology sets new standards.





T6-centrally connected radiators have the perfect dimension of symmetry and a perfect combination of design and unique technology.

The T6-centrally connected radiators have a high heating efficiency and enable extremely quick and efficient heating. This is a requirement for maximum thermal comfort!



The T6-Technology is based on the radiators' axis of symmetry and creates endless flexibility.

Type	11 VM					21 VM-S					22 VM					33 VM				
	1-layer with 1 convector plate					2-layer with 1 convector plate					2-layer with 2 convector plates					3-layer with 3 convector plates				
	300	400	500	600	900	300	400	500	600	900	300	400	500	600	900	300	400	500	600	900
	up to 2400		up to 2600		up to 2000	up to 2400		up to 3000		up to 2000	up to 3000			up to 2000	up to 3000	up to 2200		up to 1800		
Gradation	All construction lengths from 400 mm upwards, in 200 mm gradations; also 520, 720, 920, 1120 and 1320 mm																			



The benefits for you:

The classic design of the panel radiators is a symbol of decades of experience.

EC
BLE



COMPACT RADIATORS.

- High specific heating performance
- Can be combined with low temperature systems
- Efficient reduction of heating prices

Compact radiators combine an elegant design with perfect functionality, and a clear, easy Softline-Design with modern heating technology.

Due to coloured decorative clips, a personal touch can be made any time – easy to clean!



Due to interchangeable decorative clips, a personal touch can even be made afterwards.

Type	10					11 K					21 K-S					22 K					33 K				
	1-layer					1-layer with 1 convector plate					2-layer with 1 convector plate					2-layer with 2 convector plates					3-layer with 3 convector plates				
	300	400	500	600	900	300	400	500	600	900	300	400	500	600	900	300	400	500	600	900	300	400	500	600	900
	up to 1200		up to 2400		up to 2600	up to 1400	up to 2400		up to 2600	up to 2000	up to 2400		up to 3000	up to 2000	up to 3000					up to 2000	up to 3000	up to 2200		up to 2000	
Gradation	All construction lengths from 400 mm upwards, in 200 mm gradations; also 520, 720, 920, 1120 and 1320 mm																								



The benefits for you:

Due to its smooth surface, the radiator fits perfectly in every ambiance.



T6-PLAN CENTRALLY CONNECTED RADIATOR.



- All benefits of the leading T6-Technology
- Easy to clean, smooth surface
- Best thermal comfort
- Integrated valve technique with pre-adjustments

The **T6-Plan centrally connected radiator** with the revolutionary centrally connected radiator-technology completely redefines the radiator planning, installation and operation.

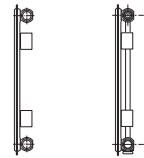
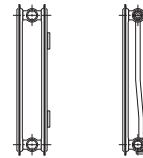
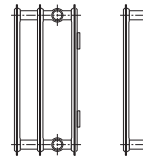


The **T6-Plan centrally connected radiators** are side-variable, variable in installation, size, connection, and type, and all pre-adjustments have been made. Equal heat distribution with maximum flexibility.



Type	11 PM					21 PM-S					22 PM					33 PM				
	1-layer with 1 convector plate					2-layer with 1 convector plate					2-layer with 2 convector plates					3-layer with 3 convector plates				
	300	400	500	600	900	300	400	500	600	900	300	400	500	600	900	300	400	500	600	900
	up to 2400		up to 2600		up to 2000	up to 2400		up to 3000		up to 2000	up to 3000			up to 2000	up to 3000	up to 2200		up to 1800		
Gradation	All construction lengths from 400 mm upwards, in 200 mm gradations; also 520, 720, 920, 1120 and 1320 mm																			

14 Hygienic radiators



															
Type	10 10 VM					20 20 VM					30 30 VM				
	1-layer					2-layer					3-layer				
	300	400	500	600	900	300	400	500	600	900	300	400	500	600	900
	up to 1200		up to 2400	up to 2600	up to 1400	up to 2400		up to 3000	up to 2000	up to 3000	up to 2200			up to 2000	
Gradation	All construction lengths from 400 mm upwards, in 200 mm gradations; also 520, 720, 920, 1120 and 1320 mm														

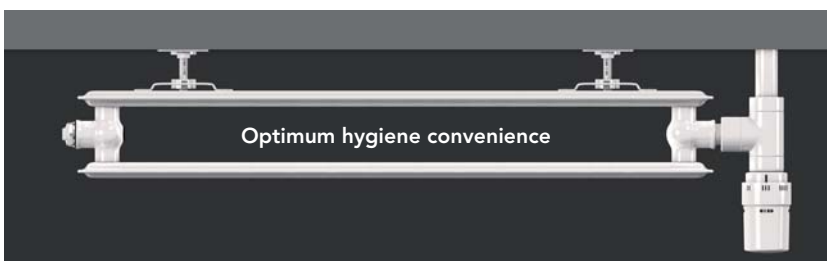
Information in mm.



HYGIENIC RADIATORS.

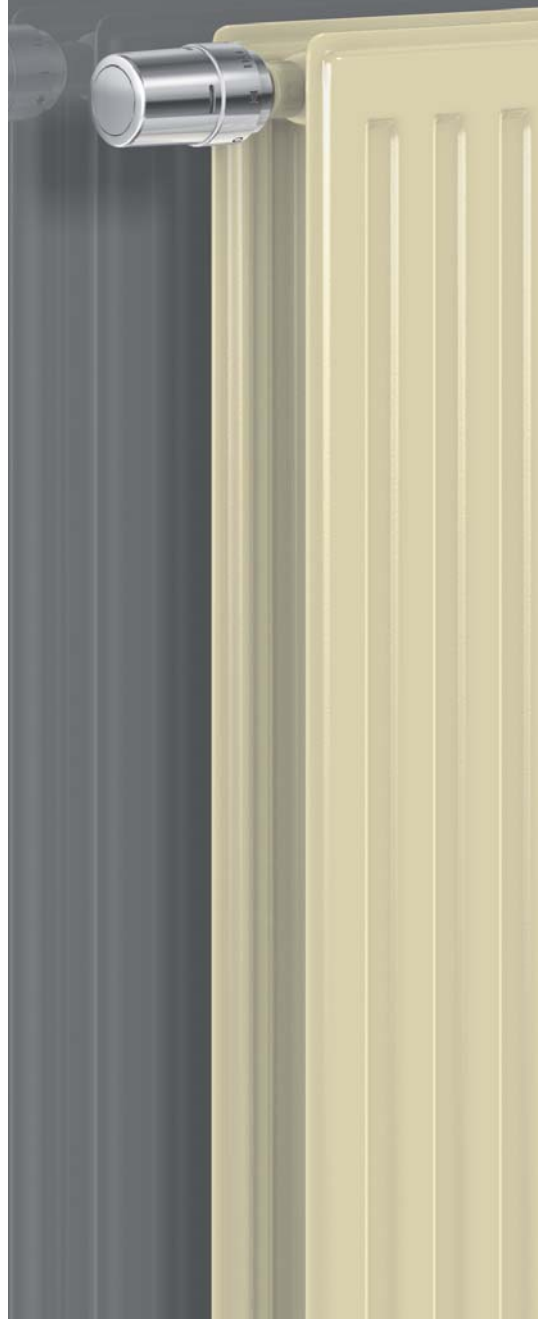


- Complies with the highest hygienic standards
- Easy to clean
- Lots of radiant heat
- Integrated valve technique with pre-adjustments



Hygienic radiators have no covers and convection sheets and are therefore perfect for hospitals and rooms which have to meet high hygienic requirements.

The benefits for you: Perfect for locations that require high hygienic standards.



VERTICAL CENTRALLY CONNECTED RADIATORS.



- The slim space heating solution
- Perfect cost/performance ratio
- Wide range of types

With the expressive Profil I of the **vertical centrally connected radiators**, new standards will be defined. Wide, curved strips create bright, dark contrasts. Lower rooms seem to be higher. A constant game with light and shades make a radiator to an emotional centre of the room. Made for people who know what they want.



Design available upon request.

Type	10				20			21			22				
	1-layer				2-layer			2-layer with 1 convector plate			2-layer with 2 convector plates				
	1500	1800	1950	2100	1800	1950	2100	1800	1950	2100	1800	1950	2100	2300	
	450, 600	450, 600, 750			300, 450, 600, 750			300, 450, 600, 750			300, 450, 600	300, 450, 600, 750			750

Information in mm.



The benefits for you:

The perfect solution when little space is available.

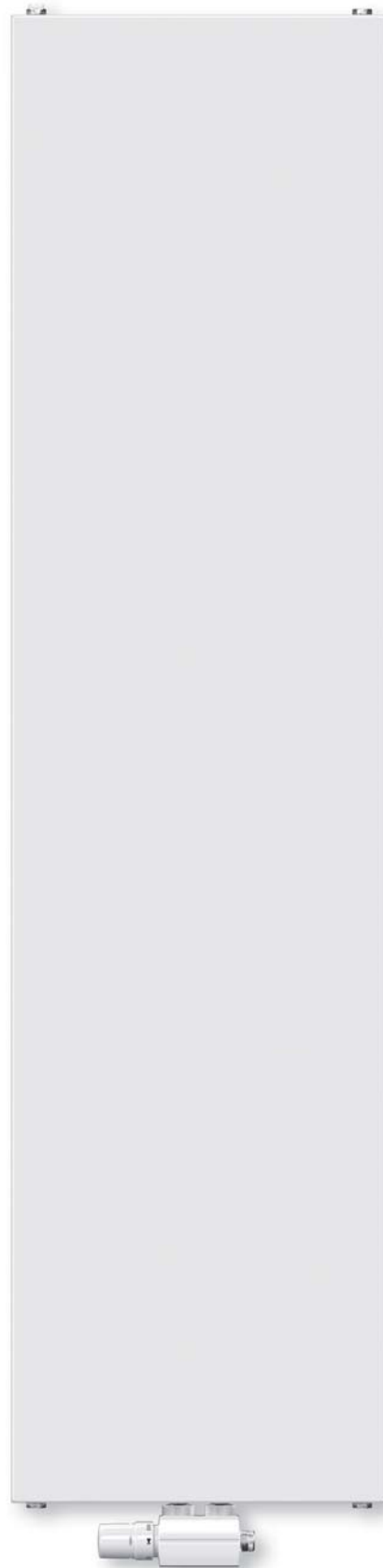


PLAN VERTICAL CENTRALLY CONNECTED RADIATORS.



- Highest competence in design
- Beneficial central connection
- Wide range of colours

The benefits for you: Shorter heating up periods of a room due to high efficiency.



Type	21			22		
	2-layer with 1 convector plate			2-layer with 2 convector plates		
	1800	1950	2100	1800	1950	2100
	300, 450, 600, 750			300, 450, 600	300, 450, 600, 750	

Information in mm.

Interior concepts require heating surfaces with maximum design competence. Vertical geometries with plain surfaces make radiators with perfect heating comfort. Purism is paramount.

REPLACEMENT RADIATORS.

- An average of 15% of energy savings*
- Besides the boiler exchange, the most important replacement step
- Sensible increase in quality of living and life



* On average, in comparison with old sectional radiators, test results according to Pinkafeld University of Applied Sciences



Replacement radiators provide a solution to an easy, fast and clean exchange of old tube radiators. The boss spacing is compatible with every tube radiator previously used.

The benefits for you: The replacement radiators are suitable for the boss spacing of old radiators.

Type	21 K-S		22 K		33 K	
	2-layer with 1 convector plate		2-layer with 2 convector plates		3-layer with 3 convector plates	
	554	954	554	954	554	954
	400 up to 3000					
Gradation	All construction heights from 400/600 mm, in gradations of 200 mm					

STANDARD COLOUR.

Traffic white * RAL 9016

BATHROOM COLOURS.

Edelweiss * S0085

Pergamon * S0091

Jasmine * S0075

Natura * S0094

Magnolia S0077

Bahamabeige * S0087

Manhattan * S0088

Banana S0164

RAL TREND COLOURS.

Porcelain Blue RAL 190-2

Electric Blue RAL 650-2

Lemon Glow RAL 250-2

Acid Green RAL 230-3

Pastellgelb RAL 1034

Perlgold RAL 1036

Mauve Haze RAL 290 70 20

Mystic Purple RAL 290 40 45

RAL CLASSIC COLOURS.

Pure white * RAL 9010

Cream * RAL 9001

Oyster white * RAL 1013

Grey white * RAL 9002

Cappuccino RAL 060 60 20

Cocoa RAL 050 40 20

Chocolate brown RAL 8017

Jet black * RAL 9005

Beige RAL 1001

Flame red RAL 3000

Ruby red * RAL 3003

Wine red RAL 3005

Pastel green RAL 6019

Pigeon blue RAL 5014

Ultramarine blue * RAL 5002

Traffic black RAL 9017

Light grey * RAL 7035

Window grey RAL 7040

Silver grey RAL 7001

Dusty grey RAL 7037

Stone grey RAL 7030

Slate grey RAL 7015

Anthracite grey RAL 7016

Graphite grey RAL 7024

METALLIC COLOURS.

Pearl beige RAL 1035

White aluminium * RAL 9006

Grey aluminium * RAL 9007

Stainless steel grey S0112

The colours shown here are not binding. Colours may differ due to printing technology.
Further colours available on request!

* Vertical radiators with central connection and PLAN vertical radiators with central connection available in the colours marked with *.

PRODUCT DESCRIPTION & SHIPPING.

VOGEL&NOOT's panel radiators are high quality brand products, which are suitable for every room since they have a wide range of connection opportunities. For your application you can choose between different types, which are all included in the delivered package.

T6-centrally connected radiator

Ready to connect and high quality central connection-technology: Can be used for single pipe and double pipe systems, as well as for valve centrally connected and compact radiators. Delivery with the upper cover, closed side panels and special vent plug.

Compact radiators

Simplicity attained: easy connection over 4 x 1/2" IG and a variable use of single or double pipe system. Delivery with upper cover and closed side panels.

Vertical radiators – centrally connected

Equipped with central connection G1/2 I.G. and 4xG 1/2 I.G. connection on the side on the top and bottom (connections on the bottom are perfect for supply and return), two side panels (with type 20, 21 and 22). Suitable valve connection; for central connection see accessories. In the delivery of vertical radiators, wall rails with suitable screws, anchors, three self-sealing dummy plugs and a vent pipe are included. Efficiency is proved after DIN EN 442 and the production processes are continuously monitored, in accordance with EN-ISO 9001, 3 layers of packaging (cardboard, edge protection, shrink wrapped). Also offered as Plan-format.

Hygiene radiator

Clean function: easy cleaning without convection sheets and covers. Available as compact radiator and also as valve radiator – centrally connected.*

Replacement radiators

From old to new: The old radiator can be installed at the old connections. Requires very little effort and creates hardly any dirt. Big savings in energy. Available in a compact completion. Delivery with upper cover and closed side panels.

T6-Plan centrally connected radiators

Elegant design and connection variability:

For single and double pipe systems, universal connection opportunities are available. Delivery as centrally connected radiator with upper cover and closed side panels and special vent plugs.

Conditions of operation

At all panel radiator models a maximum temperature of operation of 110°C is determined.

Treatment of surface

High quality and ecologically beneficial two layer cover after DIN 55900, pre-painted and baked with an electrostatic powder coating.

More information is available at www.vogelundnoot.com



Brand products of certified quality

VOGEL&NOOT offers strong products that meet the highest quality standards during manufacture and operation. All information on the quality and performance of **VOGEL&NOOT** panel radiators is verified and confirmed by renowned European institutes on an ongoing basis. This means you can be certain of obtaining the highest heating power and the best product quality.



* Supplied with thermostat valves sealed in the factory, with pre-set k_v .



VOGEL&NOOT

Rettig Austria GmbH Vogel und Noot Straße 4, 8661 Wartberg, Austria
T: +43 3858 601-0, F: -1298, info@vogelundnoot.com, www.vogelundnoot.com



heatingthrough**innovation.**